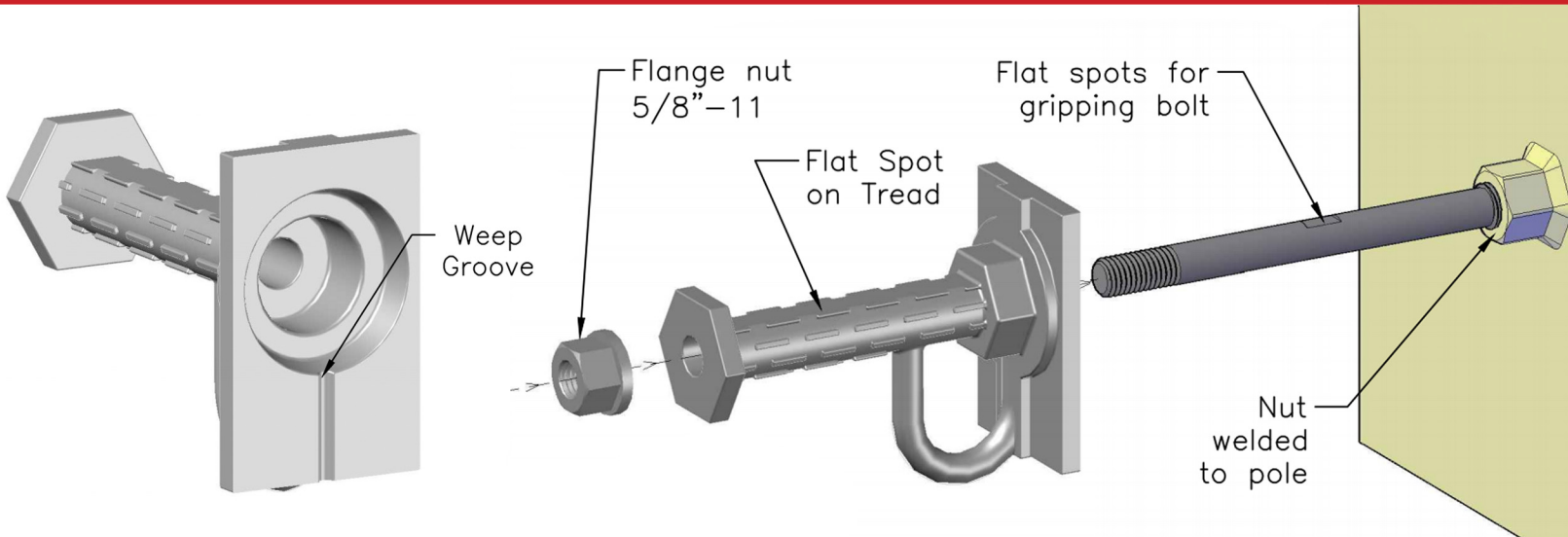


## STEEL POLE CLIMBING STEP WITH FALL ARREST LOOP



**\* Steps not to be used as a hoisting device**

### FEATURES:

- ✓ One Piece Step Construction
- ✓ Fall Arrest Safety Loop
- ✓ Stainless Steel "Non-Slip" Housing
- ✓ Easy Straight Bolt And Lock Nut Installation
- ✓ Mounts Into Existing  $\frac{3}{4}$ " Welded Nuts On Pole
- ✓ Over-Sized Hexagon "Boot Stop" At Outside Edge Of Step For Safety
- ✓ Stainless Steel Step Housing and Low Carbon Steel Bolt with hot dipped galvanized coating
- ✓ Stainless Steel Loop Rated To 5,000 LBS

### PART NUMBERS:

1006wn

### CARTON QUANTITY:

15

### CARTON WEIGHT:

50 lbs