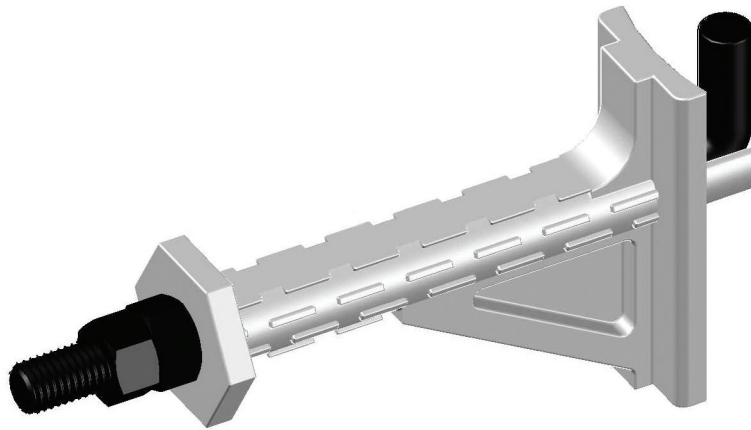


POLE STEP - PART #1001 STAINLESS STEEL AND #1001A ALUMINUM



*** Steps not to be used as a hoisting device**

FEATURES:

- ✔ One piece step construction
- ✔ Easy "J" Bolt blind installation
- ✔ Mounts into a 1" or 1-1/8" diameter opening
- ✔ Designed to mount on round or flat surface
- ✔ Designed for use on Steel or Composite poles
- ✔ Oversized Hexagon "boot stop"
- ✔ Patent Pending

PART NUMBERS:

1001
1001A

CARTON QUANTITY:

1001 – 15 steps
1001A – 25 steps

CARTON WEIGHT:

1001 – 51 lbs
1001A – 58 lbs