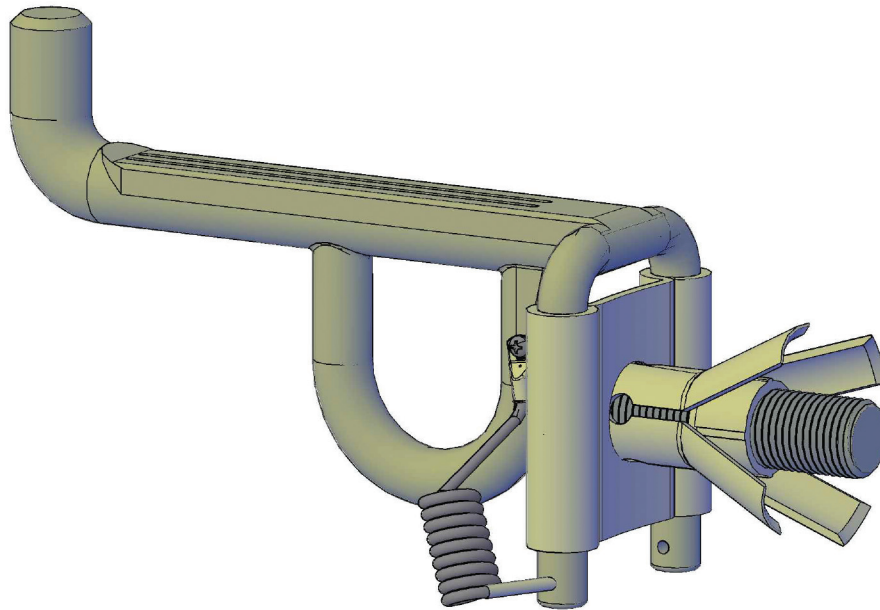


## REMOVABLE POLE STEP #1024



**\* Steps not to be used for hoisting or fall protection**

### FEATURES:

- ✓ "Non Slip" Step for Safety
- ✓ Easy to install "Expansion Bolt" Designed to form a Strong Engineered Connection
- ✓ Mounts into a standard 1" Opening
- ✓ Designed for Use on Steel or Composite Poles
- ✓ Turned-up "Boot Stop" at Outside Edge of Step for Safety
- ✓ Patent Pending
- ✓ Special order Colors available
- ✓ Safety Pin

### PART NUMBERS:

Removable Pole Step  
(Complete Assembly)  
#1024P

### CARTON QUANTITY:

1024P – 15

### CARTON WEIGHT:

1024P – 45 lbs

#1024 is also available for wood pole and towers. receiver and steps are available separately, contact VAF for details.